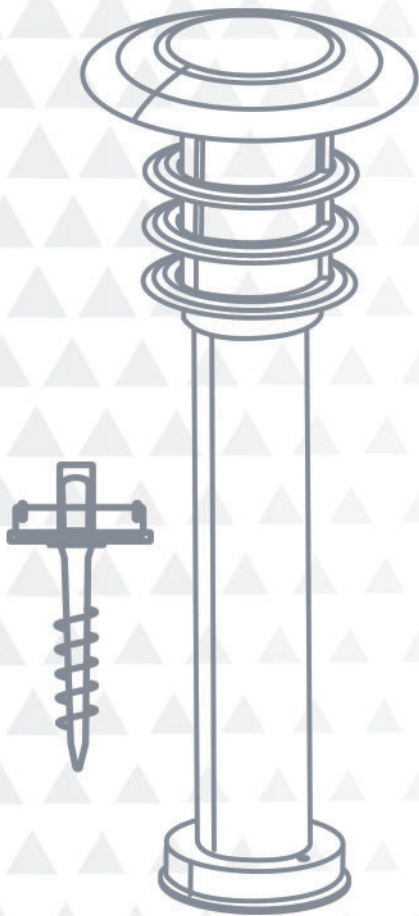



GAMA SONIC[®]

SOLAR LIGHTING



STAINLESS STEEL BOLLARD SOLAR LAMP with EZ Anchor

Part#: 214001/214801
US Patent #9458970

 Please read the instruction manual carefully to obtain the best results from your purchase.

Thank you for your purchase. GAMA SONIC® solar charged accent lighting eliminates the problems associated with most solar lighting available today. GAMA SONIC® solar charged lights are brighter and last all night with a typical solar charge. Unique design, superior light output, and numerous installation options confirm the outstanding value of our product.

GAMA SONIC® has been recognized as a worldwide leader in the lighting industry for over 20 years. The company also offers unique multi-purpose rechargeable products that range from party lights to emergency lighting products.

For technical assistance and more information
call our Toll-Free number:
800-835-4113 (only within the US)

Or

visit our website or download the latest version
of your instruction manual:
www.gamasonic.com Or
www.gamasonic.com/user-guides



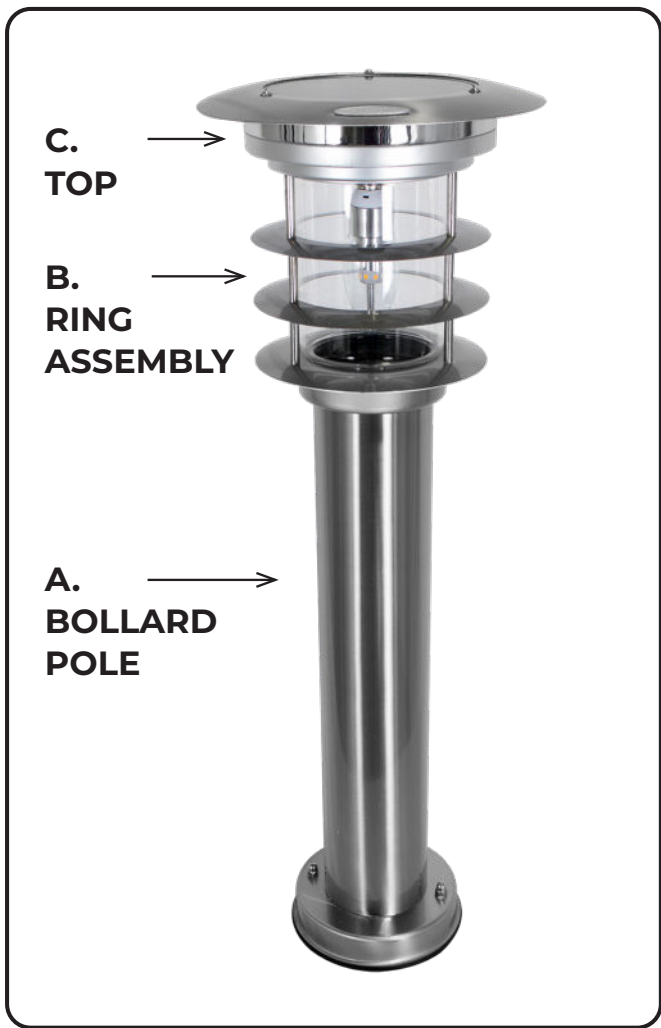
Solar Lamp Location:

For optimum light duration throughout the night, it is very important to place your solar light in a spot where it will receive the maximum amount of direct sunlight throughout the day.

Note: For best results, the solar light must be charged on the "ON" position for two sunny days.

Adaptor	Auger	Turning Bar
	 <p>← Level Tool</p> <p>← Ground Stop Ring</p>	



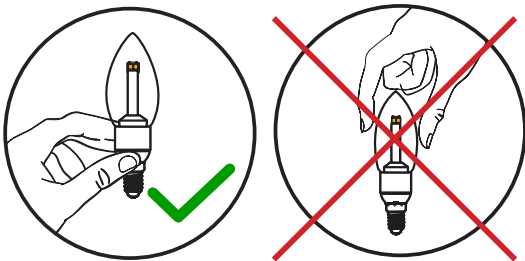


Operation and assembly instructions.

1. Remove the Adaptor from the base by unscrewing the two silver caps from the bottom of the Bollard Pole (A).
 2. Secure the Ring Assembly (B) to the Bollard Pole (A) using the glass and twisting it clockwise.
- NOTE: If the two parts do not easily fit, try inserting the glass into the Bollard Pole at an angle until the glass starts to thread in.
3. Insert the GS Solar LED Bulb into the Top (A) by screwing it in clockwise.
 4. Set the operation switch to one of the following settings:
 - High = Brighter light output
 - Low = Softer light, longer duration.
 5. Connect the Top (A) to the Ring Assembly (B) by twisting clockwise.
 6. The Solar light will automatically operate from dusk to dawn.

Flat surface installation Instruction

1. Using the Adaptor as a template, drill two holes no larger than the anchors in the desired mounting location.
2. Insert the anchors in the holes and secure the Adaptor using the provided screws.
3. Attach the assembled lamp to the Adaptor and secure using the silver caps.



WARNING: GAMA SONIC® Light bulbs are not to be used in other electrical sockets. They are low-voltage light bulbs that are built and designed for our products only!

EZ Anchor installation

1. Insert the Auger bit into the Adaptor and secure it from the bottom using the four supplied screws.
2. Place the Turning bar in the hole through the Auger bit and begin turning the Auger clockwise in the desired mounting location.
3. Apply downward pressure while turning clockwise and occasionally check the level in the Auger so it is vertical.
4. Stop turning once the Ground Stop Ring is flush with the ground.
5. Remove the turning bar and place the assembled lamp on the Adaptor.
6. Secure the lamp with the two silver caps.





Replacing the Batteries

Replacement batteries are available
at www.gamasonic.com or via our Toll free number: +1-800-835-4113

(After several years of use, the batteries may need replacing).

1. Remove the Top (A) from the Ring Assembly (B) by twisting counter clockwise.
2. Switch the lamp OFF and remove the bulb.
3. Unscrew and remove the battery compartment covers.
4. Remove the batteries and unclip the connectors.
5. Make sure the new batteries are high quality 3.2V/1000mAh Li-Ion rechargeable batteries with a matching connector (Item# GS32V10).
6. Clip in the new batteries and install into the compartment.
7. Reassemble the lamp by reversing steps 1-3.



WARNING: Do not dispose of Li-Ion batteries in the regular trash, municipal waste stream or by fire as batteries may leak or explode. Do not open, short circuit, or mutilate batteries as injury may occur. Preserve our environment by recycling Li-Ion batteries or disposing of them in accordance with local, State and federal regulations. Do not mix old and new batteries.

Maintenance

Clean the solar module regularly with a damp towel to guarantee optimum performance of the solar panel. Do not use any type of solvent for cleaning and be careful not to put too much pressure on the module while cleaning.

Trouble Shooting

If your solar charged light does not come on at dusk despite observance of all the instructions, please try the following steps:

1. Make sure that the solar light is not being affected by any other light source.
2. Ensure the solar light is not positioned in the shade during the day.
3. Make sure the switch in the lamp head is in the "LOW" or "HIGH" position.
4. Check that the batteries are installed correctly.

NOTE: The performance of the solar light will vary with the time of year. It will deliver longer duration when it has had a full day in the sun rather than a day in overcast weather.



WINTERTIME TIPS: For optimal performance, be sure to remove any snow or debris accumulation from solar panel(s). A solar panel free of debris will charge the batteries much more efficiently.

WARNING: Please keep out of reach of children.

